

iCBOS-K-Q-OS-SMPM/iCNOS8

40 GHZ O-SMPM TO K

50 GHZ O-SMPM TO 2.4 MM

67 GHZ O-SMPM TO 1.85 MM O-SMPM CABLE

1X8/2X8 O-SMPM SMT PCB CONNECTOR

- The O-SMPM cable and 1x8 O-SMPM connector guarantee high electrical and mechanical reliability and stability.



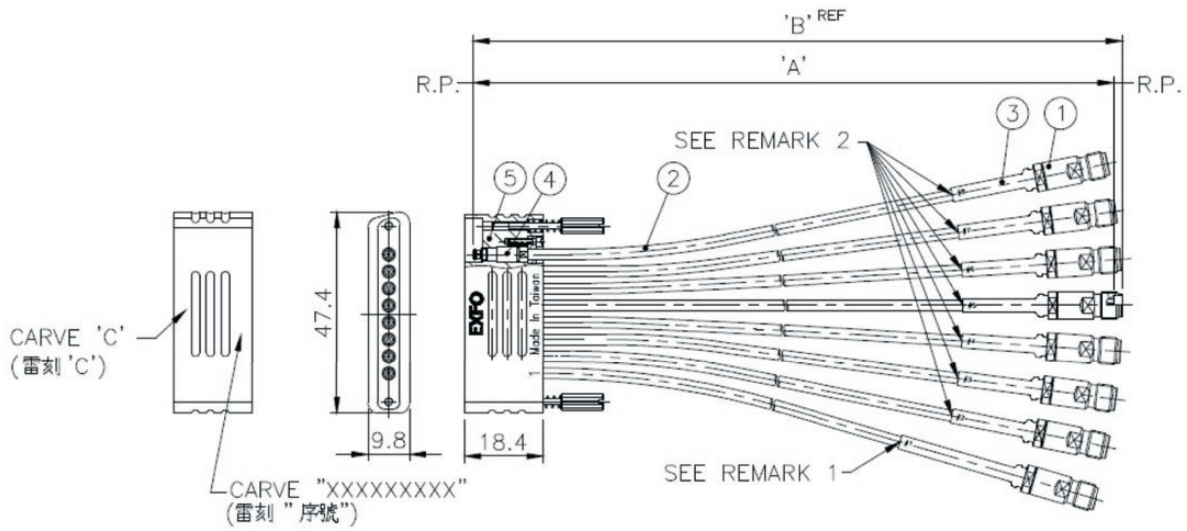
KEY FEATURES

High electrical and mechanical reliability and stability.

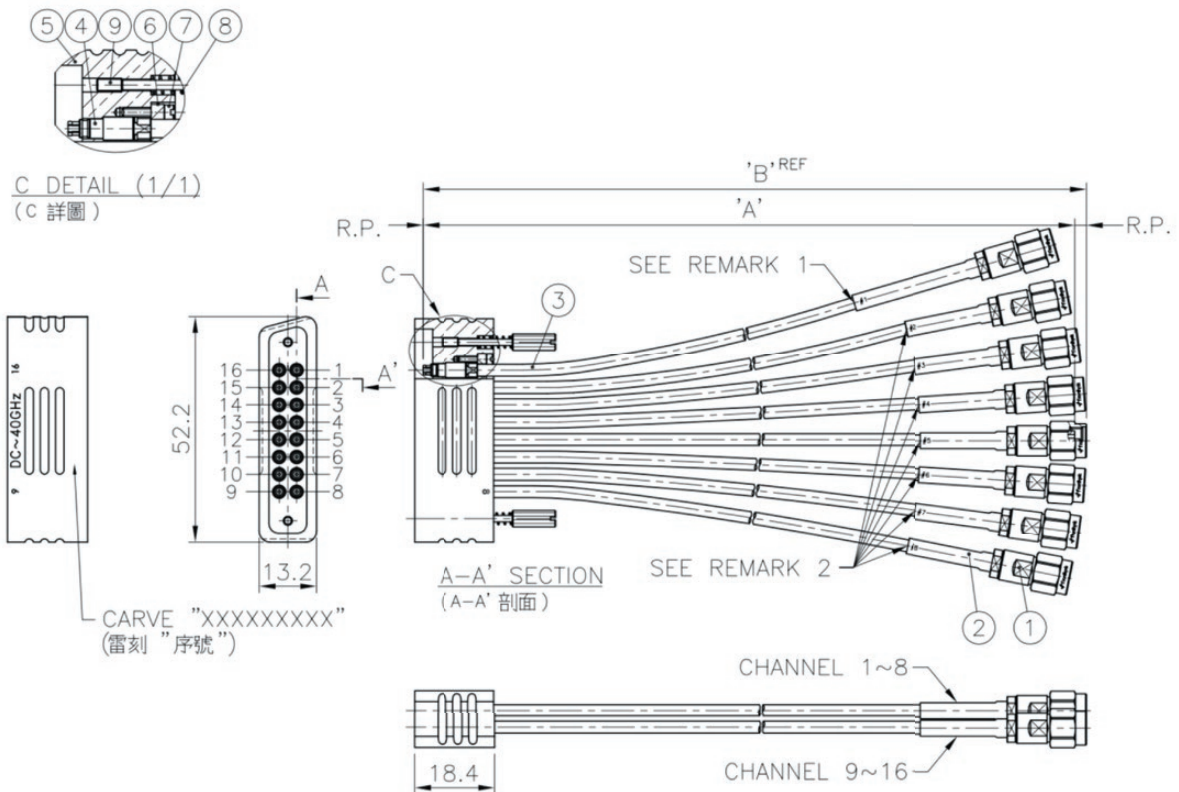
Insert directly the connector for quick application or tighten cable bolts with the connector for high stability during long operations.

CABLES

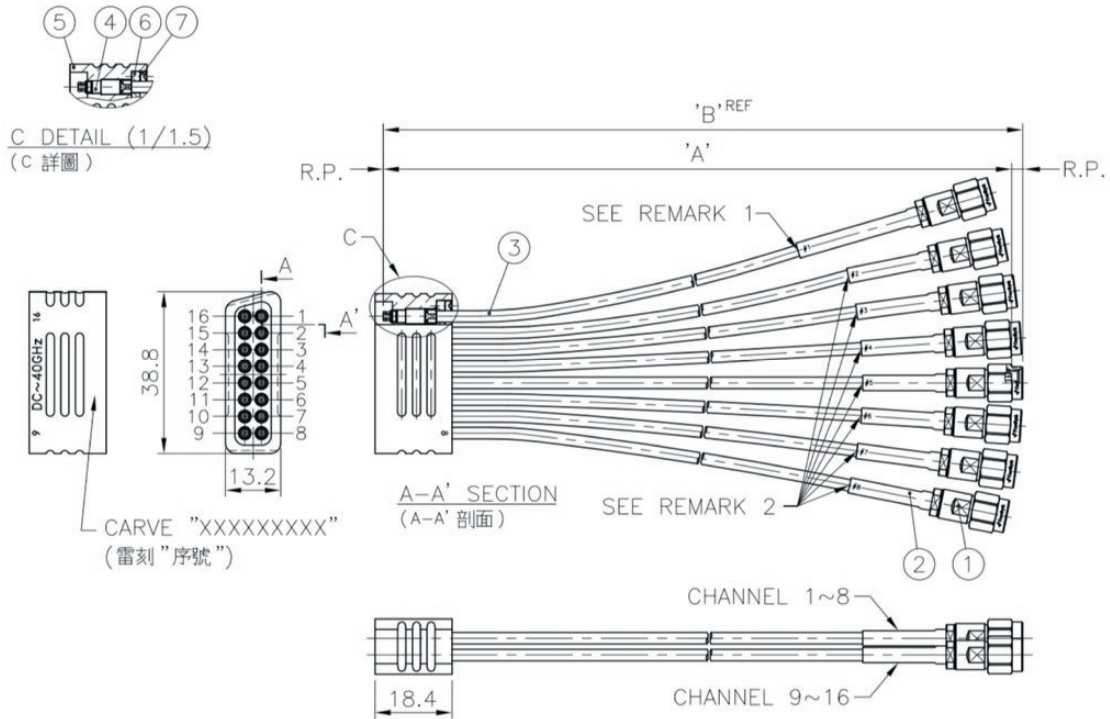
1x8 O-SMPM cable with screw



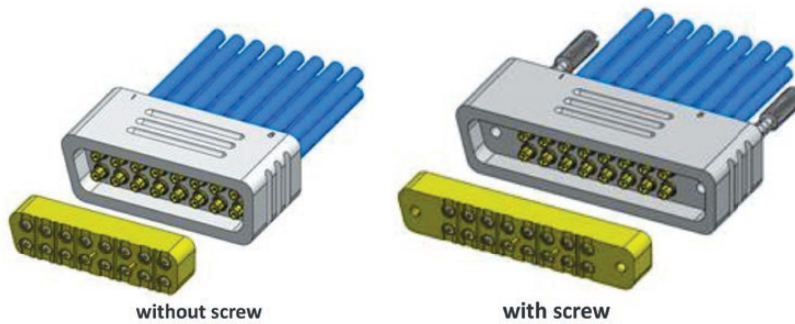
2x8 O-SMPM cable with screw



1x8 and 2x8 O-SMPM cable without screw



Cable and connector match

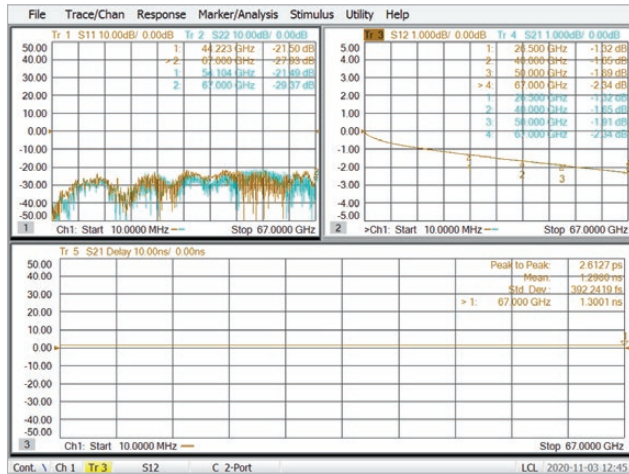


CABLE SPECIFICATIONS

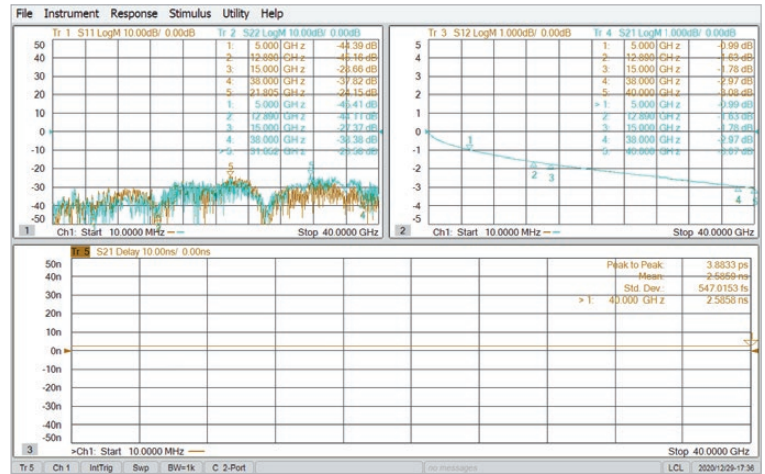
ELECTRICAL (2.92 mm/2.4 mm/1.85 mm)			
Impedance	0 – 67 GHz		50 Ω
Return loss	2.92 mm	0 – 40 GHz	15 dB (max)
	2.4 mm	0 – 50 GHz	
	1.85 mm	0 – 67 GHz	
Insertion loss (15 cm)	2.92 mm	0 – 40 GHz	1.2 dB (max)
	2.4 mm	0 – 50 GHz	1.3 dB (max)
	1.85 mm	0 – 67 GHz	1.9 dB (max)
Velocity of propagation	0 – 67 GHz		80 % (nominal)

MECHANICAL	
Outer diameter of cable	2.54 mm (nominal)
Min. bend radius static/single	15 mm
Typical flex cycles	10,000 cycles
Temperature range	-40 °C to 125 °C (-40 °F to 257 °F)

TYPICAL INSERTION LOSS AND RETURN LOSS

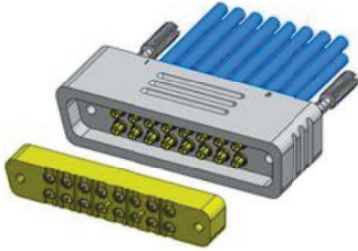


1.85 mm connector, 30 cm long



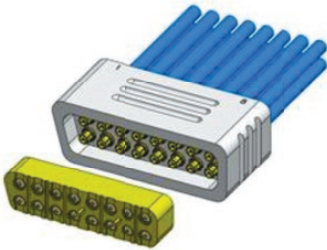
2.92 mm connector, 60 cm long

ORDERING INFORMATION



1X8/2X8 O-SMPM CABLE WITH SCREW ^{a, b, c}

iCBOS-Km-7,15,30,60 iCBOS2-Km-7,15,30,60	40 GHz, 1x8/2x8 O-SMPM (with screw) to K (male) cable Typical insertion loss 0.7 dB (7 cm), 1.2 dB (15 cm), 1.7 dB (30 cm), 3.2 dB (60 cm)
iCBOS-Qm-7,15,30,60 iCBOS2-Qm-7,15,30,60	50 GHz, 1x8/2x8 O-SMPM (with screw) to 2.4 mm (male) cable Typical insertion loss 1.0 dB (7 cm), 1.3 dB (15 cm), 2.0 dB (30 cm), 3.5 dB (60 cm)
iCBOS-Vm-7,15,30,60 iCBOS2-Vm-7,15,30,60	67 GHz, 1x8/2x8 O-SMPM (with screw) to 1.85 mm (male) cable Typical insertion loss 1.4 dB (7 cm), 1.9 dB (15 cm), 2.5dB (30 cm), 4.2 dB (60 cm)
iCBOS-SMPM-7,15,30,60 iCBOS2-SMPM-7,15,30,60	67 GHz, 1x8/2x8 O-SMPM (with screw) to SMPM cable Typical insertion loss 1.2 dB (7 cm), 1.9 dB (15 cm), 2.5 dB (30 cm), 4.2 dB (60 cm)
iCBOS-OS-20,30,60,80 iCBOS2-OS2-20,30,60,80	67 GHz, 1x8/2x8 O-SMPM (with screw) to 1x8/2x8 O-SMPM (with screw) cable Typical insertion loss 2.2 dB (20 cm), 2.5 dB (30 cm), 4.2 dB (60 cm), 5.4 dB (80 cm)
iCBOS2-S1X2-20,30,60,80	67 GHz, 2x8 O-SMPM (with screw) to dual 1x8 O-SMPM (with screw) cable Typical insertion loss 2.2 dB (20 cm), 2.5 dB (30 cm), 4.2 dB (60 cm), 5.4 dB (80 cm)



1X8/2X8 O-SMPM CABLE WITHOUT SCREW ^{a, b, c}

iCBOSA-Km-7,15,30,60 iCBOSA2-Km-7,15,30,60	40 GHz, 1x8/2x8 O-SMPM (without screw) to K (male) cable Typical insertion loss 0.7 dB (7 cm), 1.2 dB (15 cm), 1.7 dB (30 cm), 3.2 dB (60 cm)
iCBOSA-Qm-7,15,30,60 iCBOSA2-Qm-7,15,30,60	50 GHz, 1x8/2x8 O-SMPM (without screw) to 2.4 mm (male) cable Typical insertion loss 1.0 dB (7 cm), 1.3 dB (15 cm), 2.0 dB (30 cm), 3.5 dB (60 cm)
iCBOSA-Vm-7,15,30,60 iCBOSA2-Vm-7,15,30,60	67 GHz, 1x8/2x8 O-SMPM (without screw) to 1.85 mm (male) cable Typical insertion loss 1.4 dB (7 cm), 1.9 dB (15 cm), 2.5 dB (30 cm), 4.2 dB (60 cm)
iCBOSA-SMPM-7,15,30,60 iCBOSA2-SMPM-7,15,30,60	67 GHz, 1x8/2x8 O-SMPM (without screw) to SMPM cable Typical insertion loss 1.2 dB (7 cm), 1.9 dB (15 cm), 2.5 dB (30 cm), 4.2 dB (60 cm)
iCBOSA-OSA-20,30,60,80 iCBOSA2-OSA2-20,30,60,80	67 GHz, 1x8/2x8 O-SMPM (without screw) to 1x8/2x8 O-SMPM (without screw) cable Typical insertion loss 2.2 dB (20 cm), 2.5 dB (30 cm), 4.2 dB (60 cm), 5.4 dB (80 cm)
iCBOSA2-S1X2-20,30,60,80	67 GHz, 2x8 O-SMPM (without screw) to dual 1x8 O-SMPM (with screw) cable Typical insertion loss 2.2 dB (20 cm), 2.5 dB (30 cm), 4.2 dB (60 cm), 5.4 dB (80 cm)

- a. Female coaxial connectors available.
- b. Other cable lengths available.
- c. Return loss 15 dB.

CONNECTOR SPECIFICATIONS

1X8 CONNECTOR – ELECTRICAL

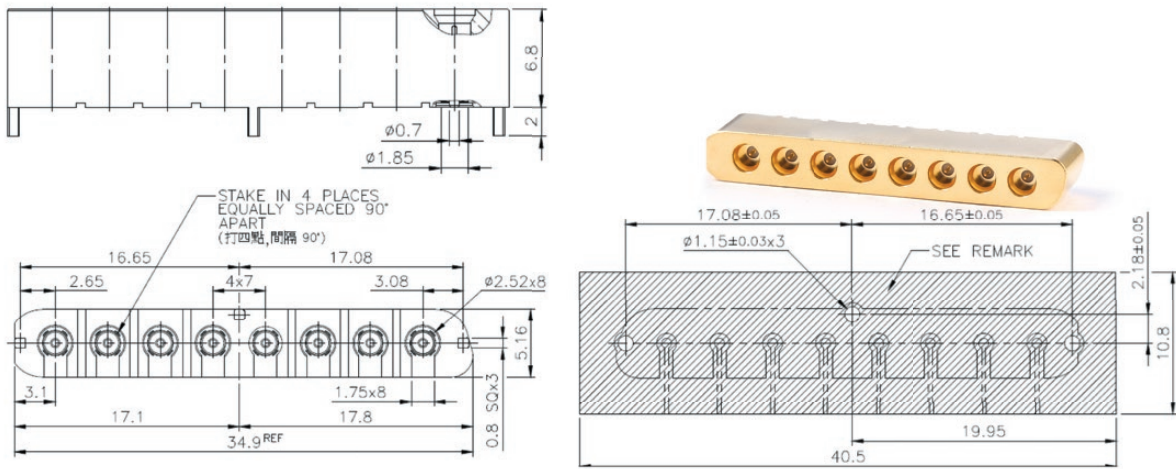
Impedance	0 – 67 GHz	50 Ω (nominal)
Return loss	0 – 67 GHz	15 dB (typical)
Insertion loss	0 – 67 GHz	0.2 dB (typical)

ORDERING INFORMATION

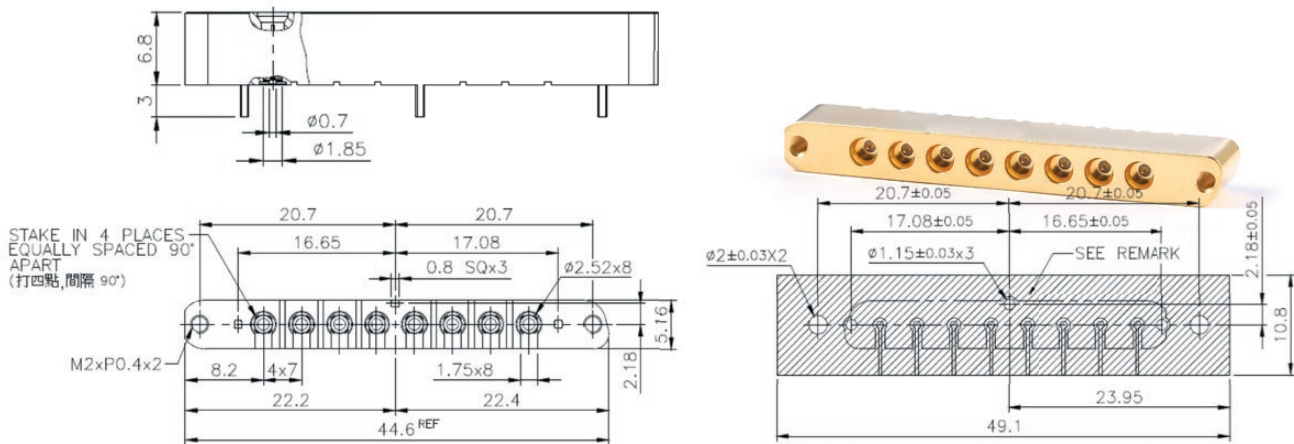
1X8 CONNECTOR

ICNOS8-A	67 GHz, 1x8 O-SMPM connector without screw
ICNOS8-B	67 GHz, 1x8 O-SMPM connector with screw

1x8 connector without screw (iCNOS8-A)



1x8 connector with screw (iCNOS8-B)



CONNECTOR SPECIFICATIONS

2X8 CONNECTOR – ELECTRICAL

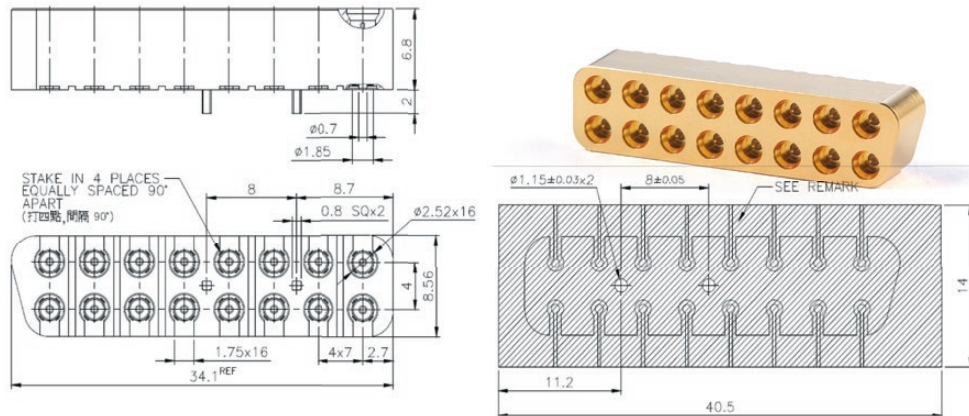
Impedance	0 – 67 GHz	50 Ω (nominal)
Return loss	0 – 67 GHz	15 dB (typical)
Insertion loss	0 – 67 GHz	0.2 dB (typical)

ORDERING INFORMATION

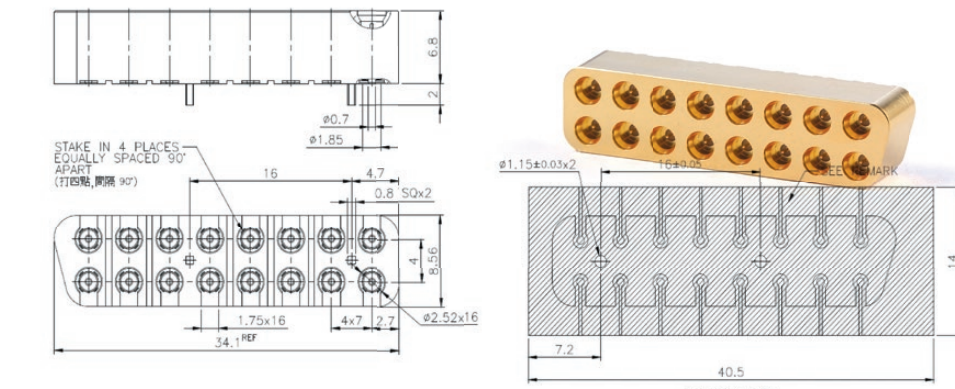
2X8 CONNECTOR

iCNOS16-A	67 GHz, 2x8 O-SMPM connector without screw (8 mm pin-to-pin)
iCNOS16-A2	67 GHz, 2x8 O-SMPM connector without screw (16 mm pin-to-pin)
iCNOS16-B	67 GHz, 2x8 O-SMPM connector with screw (8 mm pin-to-pin)

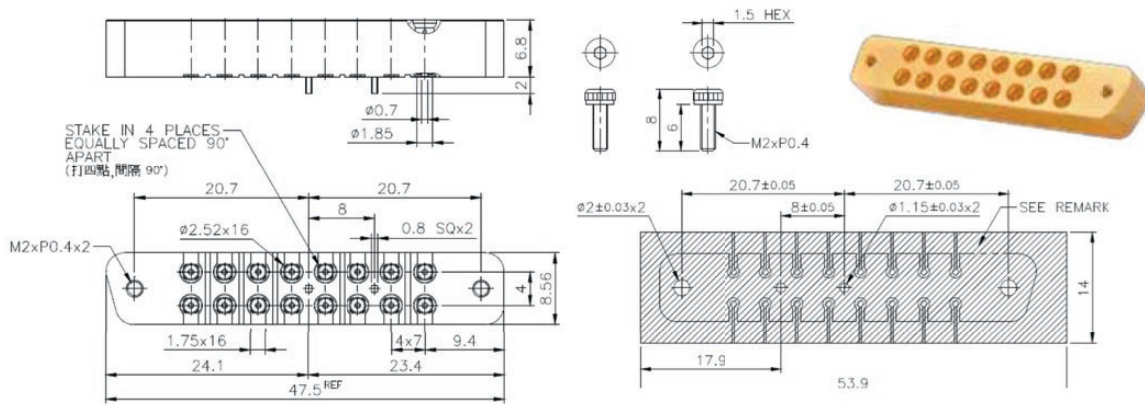
2x8 connector without screw (8 mm pin-to-pin) (iCNOS16-A)



2x8 connector without screw (16 mm pin-to-pin) (iCNOS16-A2)



2x8 connector with screw (iCNOS16-B)



EXFO headquarters T +1 418 683-0211 Toll-free +1 800 663-3936 (USA and Canada)

EXFO serves over 2000 customers in more than 100 countries. To find your local office contact details, please go to www.EXFO.com/contact.

For the most recent patent marking information, please visit www.EXFO.com/patent. EXFO is certified ISO 9001 and attests to the quality of these products. EXFO has made every effort to ensure that the information contained in this specification sheet is accurate. However, we accept no responsibility for any errors or omissions, and we reserve the right to modify design, characteristics and products at any time without obligation. Units of measurement in this document conform to SI standards and practices. In addition, all of EXFO's manufactured products are compliant with the European Union's WEEE directive. For more information, please visit www.EXFO.com/recycle. Contact EXFO for prices and availability or to obtain the phone number of your local EXFO distributor.

For the most recent version of this spec sheet, please go to www.EXFO.com/specs.

In case of discrepancy, the web version takes precedence over any printed literature.