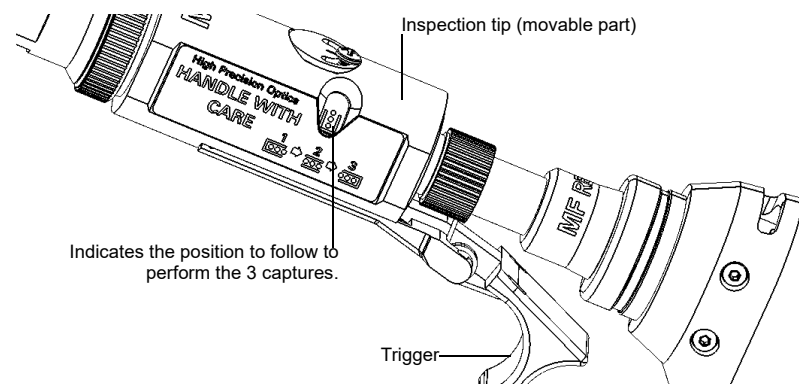



14 To perform the three captures, the movable part of the inspection tip is moved with the trigger. A capture is made for each position.



Indicates the position to follow to perform the 3 captures.

The icons on screen indicate when you can change the position of the inspection tip and the status LED as well. When the LED is blue and stops flashing, you can perform a capture.

14a Using the trigger, slide the movable part of the inspection tip to perform each capture.


14b Once you are satisfied with the inspection, tap  OR Press the Fiber Inspection Probe capture control button.

15 When the last capture is performed, the analysis starts immediately.

Analyzing Inspection Results

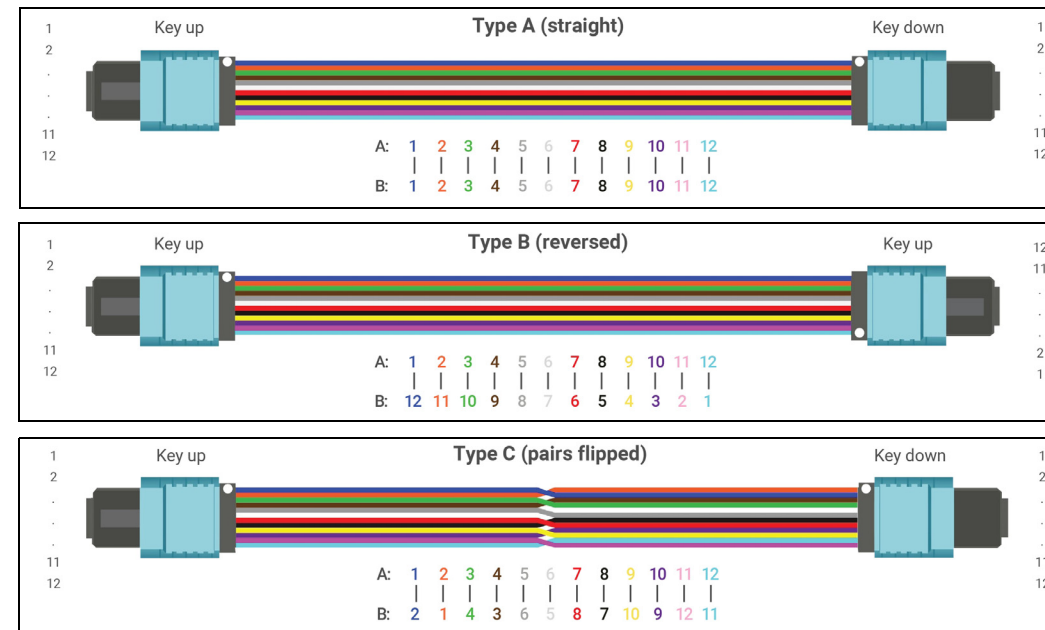
Following the analysis, an image of the identified elements and defects is overlaid on the connector image. The color of the circles indicates the inspection status of the connector per zone. Red refers to a fail status whereas green to a pass.

Analyzing Continuity Results

The continuity in a fiber refers to the ability for each fiber of a multifiber patchcord to conduct the light from one end to the other. With the Fiber Inspection Probe at the receiving end, it is possible to determine on which fibers discontinuities are found .

Analyzing Polarity Results

The polarity of a multifiber patchcord refers to how the fibers are linked between the transmitting (Tx) and receiving (Rx) connectors. The application refers to the TIA 568 standard which defines three polarity types: A, B, and C. Any other fiber mappings in a multifiber patchcord will result in an unknown polarity type.



The results are available as an image or in a detailed table. A fail status either on the inspection of the connector, the polarity, or continuity will result in a global fail status.

The image overlay indicates the inspection status of the connector per zone.

Discontinuity icon

Discontinuities found on fibers are displayed in red.

Zone	Criteria (µm)	Scatches	Threshold
A: Core	0-25 µm	0 ≤ size < ∞	Defects
B: Cladding	25-110 µm	0 ≤ size < ∞	Defects
C: Adhesive	110-150 µm	0 ≤ size < ∞	Defects

Continuity Analysis

Polarity Analysis

© 2018 EXFO Inc. All rights reserved.
Printed in Canada (2018-11)
P/N: 1074619 Version: 1.0.0.1

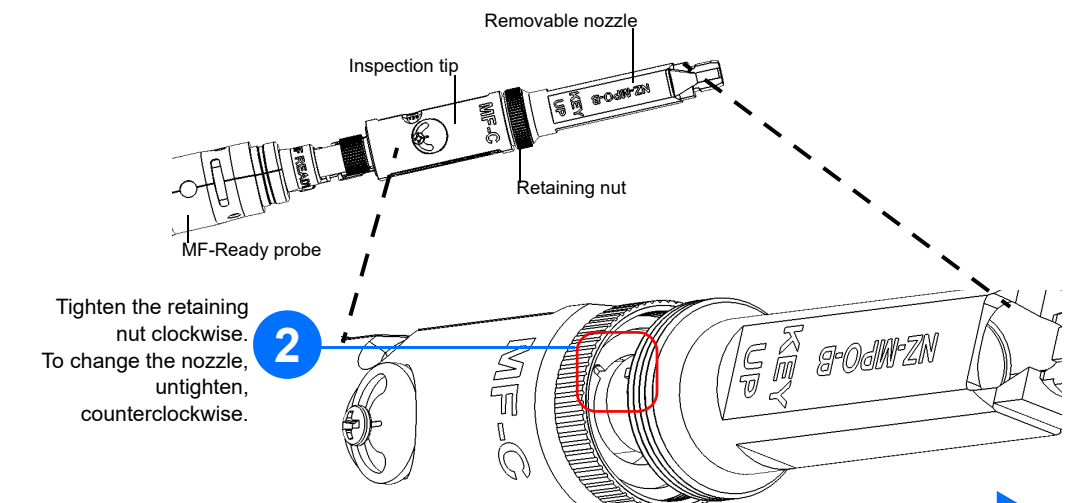


The Multifiber Source (MFS) produces a light pattern that, once injected into a fiber, is detectable by the EXFO's Fiber Inspection Probe equipped with an MPO tip (12 or 24 fibers). With the MFS, the probe will test the continuity and polarity of the link under test in addition to performing the connector inspection. Only the probes identified as MF-Ready allow you to use the MFS or the MPO tip.

Installing the FIP Nozzle

You need to install the removable nozzle and the inspection tip on the probe before you start working. The nozzle is interchangeable and you can insert it key up or key down. To facilitate the installation process, install the removable nozzle on the inspection tip first.

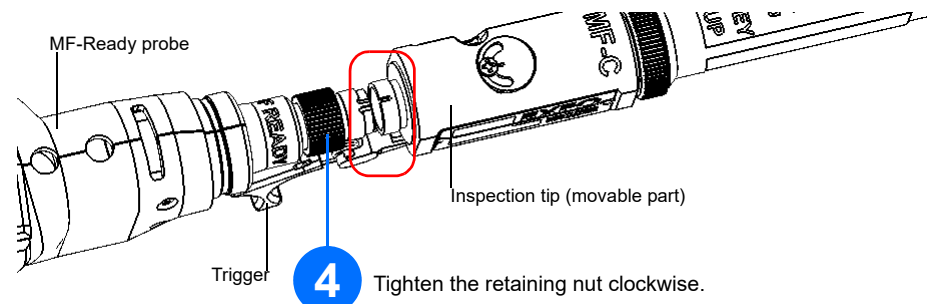
1 Install the removable nozzle (key up or key down) on the metal rod of the inspection tip and align the key of the nozzle with the notch of the inspection tip until you feel it click in place.



For more information, refer to the user guide.



- 3 Install the inspection tip on the MF-Ready probe by aligning the key of the probe with the notch of the inspection tip.

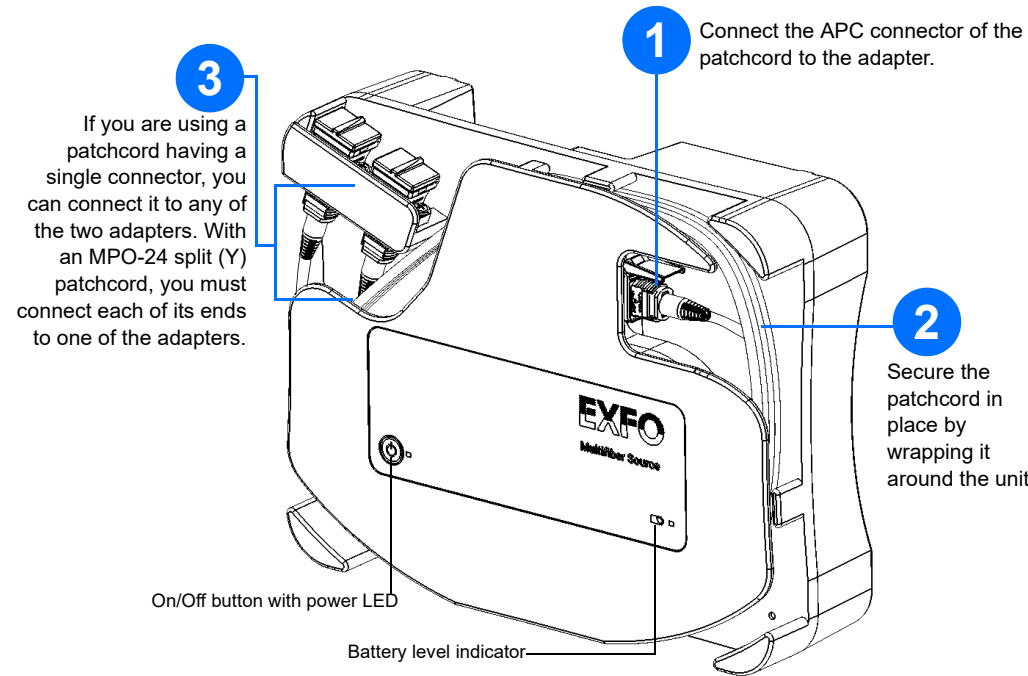


- 4 Tighten the retaining nut clockwise.

Note: If you cannot see the notch of the inspection tip, slide the movable part of the inspection tip with the trigger towards the nozzle.

Setting up the Multifiber Source

The MFS allows you to test continuity and polarity (based on A, B, or C polarity types) on multifiber links terminated with MPO connectors. Its design includes a cable management system that allows you to use a patchcord as connector savers for the MPO connectors on the source.

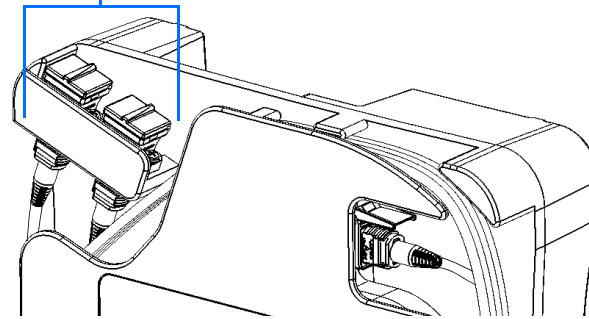


3 If you are using a patchcord having a single connector, you can connect it to any of the two adapters. With an MPO-24 split (Y) patchcord, you must connect each of its ends to one of the adapters.

- 1 Connect the APC connector of the patchcord to the adapter.

- 2 Secure the patchcord in place by wrapping it around the unit.

- 4 Open the dust cap and connect the DUT to the appropriate adapter according to the connections you made in the previous step. If you have connected an MPO-24 split patchcord, you will have to connect the DUT, in turn, to each of the two adapters.

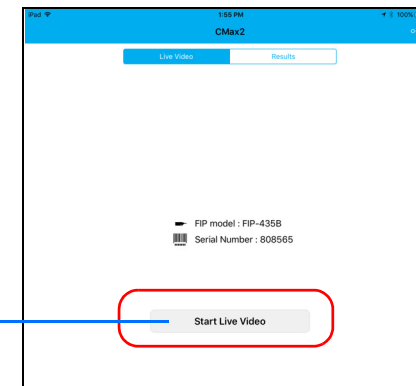


- 5 Connect the other end of the DUT to the removable nozzle of the probe.

Inspecting Multiple Fiber Ends

When you connect an MF-Ready probe to your smart device, you can view and inspect multiple fiber ends right away. This type of inspection requires three captures. As soon as the third capture is performed, the analysis process starts. If you only want to inspect a connector without testing polarity and continuity, ensure that the MFS is turned off before proceeding. Otherwise, the light emitted by the MFS could be mistaken for dirt which would result in an erroneous fail status.

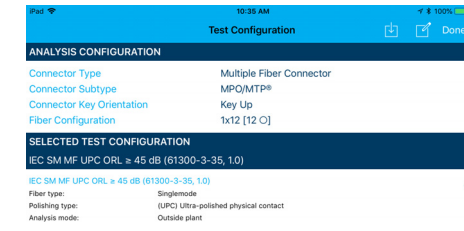
- 1 Turn on the probe.
- 2 Ensure the Wi-Fi is activated on your smart device.
- 3 Go to the device Settings and select Wi-Fi.
- 4 Select the wireless probe you want to work with.
- 5 Start the ConnectorMax2 Mobile application.
- 6 Tap Start Live Video.
- 7 Insert the connector into the removable nozzle you have already installed.



Tap Start Live Video.

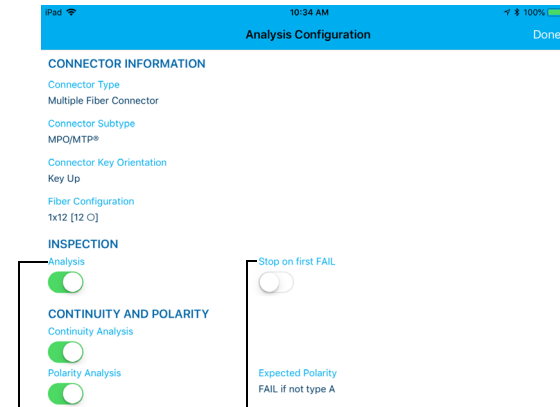
- 8 Tap the Measurement Name row to configure the automatic file naming.

- 9 In Live Video mode, tap the Test Configuration row.



- 10 Tap the arrow.

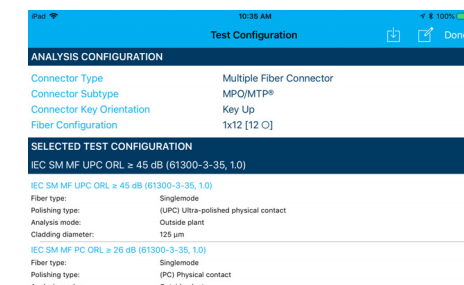
- 11 Select Multiple Fiber Connector, and then set the other parameters according to your needs.



To validate the cleanliness of the fibers of the connector

Key orientation of the connector (key up or key down, depending on the position of the nozzle)
Fiber configuration of the connector you use
Type of expected polarity for your tests

To stop the analysis as soon as a fail status is detected on a fiber



- 12 Select a test configuration to use for your test.

Note: If you are working with an FIP-435B, you can activate the auto focus feature using the down arrow in live video mode.

- 13 If the connector is dirty, remove it from the probe, clean it and reinspect it.